

## Rotary tattoo machine Sting

Congratulations on your purchase of MT Mustang Tattoo equipment! The experience of our engineers and continuous testing by professionals during the development phase allows you to achieve the perfect balance of accuracy, ergonomics and high quality.

### Read this manual carefully before using!

Here is a compact, lightweight and powerful rotary tattoo machine of the new generation – Sting.

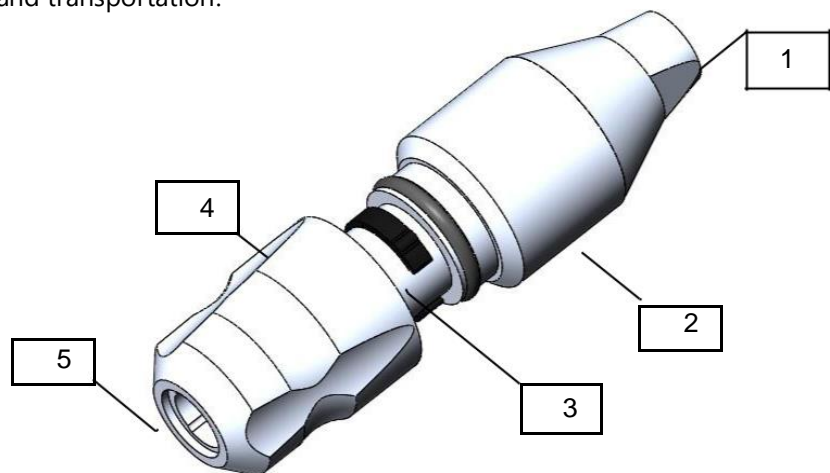
#### Machine features:

- © This machine has only one pair of friction. It is made of graphite and antifriction polymer. There are no springs. Thanks to this design, the machine has the lowest possible energy losses for friction and heating, and in combination with its compact size, it is ideal for use with all types of removable batteries
- © Ability to work with disposable Cheyenne D-GRIPS holders.
- © Presence of a holder position lock.
- © Extended range of optimum operating voltage.
- © Universal purpose (Contouring, shading, shadows).

#### Package:

Sting machine. Original wire MT Jack 6.3 to RCA. Warranty card. Manual.  
Zippered pouch for storage and transportation.

- 1 RCA plug
- 2 Machine body
- 3 Position locker
- 4 Cartridge holder
- 5 Cartridge slot



### Parameters

• Optimal voltage:	5-9 V	
• Engine power:	6W	Stable power is responsible for the safety and quality of the result. We recommend using wires with a cross section of at least 0.75 mm, power supplies with an output current of at least 3A
• Maximum voltage:	12 V	
• Maximum stroke:	3.8 mm	
• Weight:	103 rp	
• Power plug type:	RCA	
• Dimensions:	86x31mm	

---

## Safety

---

- ❖ The machine is intended for professional use by tattoo artists only. The manufacturer is not responsible for the incorrect operation of equipment and its parts! And also for non-compliance with sterilization and disinfection standards.
  - ❖ Disposable cartridges must be used. Wipe the machine with a disinfectant before and after use.
  - ❖ Be sure to use barriers for clipper, power supply and cord clip.
  - ❖ Always use disposable gloves during the session.
- 

## Preparation for work

---

- ✓ Connect the plug of the machine to the wire of the power supply or removable battery without turning on the power.
  - ✓ Apply about 7 volts to the machine, and for a few seconds listen to how it works.
  - ✓ The sound should be smooth, without extraneous shocks and drops. Disconnect power.
  - ✓ Insert the cartridge and adjust the needle stick out by rotating the holder. The machine is ready to go.
- 

## Care

---

- Disinfect the holder with disposable gloves. Before changing the cartridge, disconnect the machine from the power supply.
  - The cartridge holder is autoclavable.
  - It is recommended to carry out work on troubleshooting and replacement of parts in a service center. More information about service and maintenance can be found at <http://mustang-tattoo.ru/>.
  - Under the warranty, repairs are provided free of charge.
  - The machines must not be sterilized in an autoclave or oven!
- 

## Warranty

---

The warranty for the case (corpus) is 5 years, for the working parts of the machine (engine, internal mechanism, pusher, spring-stop) - 1 year.

Attention! The official warranty starts after registration on the website <http://mustang-tattoo.ru/guarantee>. You must register within 30 days of purchase.

This warranty covers factory faults, but does not cover to the wear and tear of equipment and its parts as a result of proper or improper use.

---

## Warranty don't cover:

---

- ✓ problems after aggressive non-alcohol antiseptic agents;
- ✓ machines with signs of falling, hitting the case and its components;
- ✓ machine with signs of self-adjustment, modernization;
- ✓ if wrong things, liquids or dirt get inside the mechanism

And also the warranty is terminated in case of:

- • misuse of equipment;
  - • exceeding the maximum operating voltage;
  - • sterilization in an autoclave or dry oven
- 

## Exchange or return of goods

---

Within 3 months after purchase, the machine can be exchanged for a similar / different model. Return of goods is possible within 2 weeks.

**Service Center Contacts:** Russia, Moscow, Narodnaya str., 14/1, tel. +7 (499) 754-85-25

[info@mustang-tattoo.ru](mailto:info@mustang-tattoo.ru)

[www.mustang-tattoo.ru](http://www.mustang-tattoo.ru)